



About us !

Founded in 2018 , Glass Decor began with a simple vision - **redefining lifestyle**, by transforming architectural spaces with modern sleek and high performance glass , railings and uPVC solutions.

we are one of the trusted names in uPVC windows and doors, committed to bringing durability, comfort, and modern design to homes and commercial spaces. What began as a focused initiative has today grown into a strong presence across North Bengal, Sikkim, Bhutan, & Nepal, serving diverse climates and architectural needs.

With years of hands-on experience, we specialize in high-quality uPVC solutions that offer superior insulation, weather resistance, low maintenance, and long-lasting performance. Our products are thoughtfully designed to withstand heavy rainfall, humidity, and temperature variations—making them ideal for hilly and high-rainfall regions.

Quality craftsmanship, precision installation, and customer satisfaction are at the heart of everything we do.

From modern residences to large-scale commercial projects, we take pride in delivering solutions that enhance aesthetics, efficiency, and everyday living.

Driven by innovation and guided by trust, we continue to build spaces that are **quieter, greener, and more comfortable** .

we make sure ,

better living begins at the window



known & trusted for

We are Known and trusted for manufacturing high-quality uPVC doors and windows, we combine precision engineering with thoughtful design to deliver products that stand the test of time.

Built for strength, performance, and everyday comfort, our solutions are crafted to suit Indian homes and climates—offering reliability you can depend on and quality you can feel year after year.

Message from the Directors

At Glass Decor we believe that building a business is really about building relationships. We value your trust above all else and strive to exceed your expectations every single day. Thank you for your continued support and for letting us serve you.

| Binit Agarwal

Chase the vision, not just the money. At Glass Decor, we are focused on creating impact, innovating, and delivering the best for our customers.

| Prashant Agarwal



WHAT MAKES THE DIFFERENCE !

Choosing the right uPVC Partner.



Lead free Profiles

Manufactured using eco-safe, lead-free calcium zinc formulation to ensure superior durability, environmental responsibility, and long-term performance.



European standard quality

Designed and produced in compliance with EN 12608 European standards, delivering exceptional structural integrity, precision, and reliability.



Toughened Glass options

Available with high-strength 3x / 5x toughened glass options for enhanced safety, impact resistance, and thermal performance.



Steel reinforced frames

Integrated galvanized steel reinforcements engineered to provide maximum structural strength, dimensional stability, and longevity.



state - of - the - art fabrication

Precision manufacturing using advanced machinery and quality-controlled processes to ensure flawless finishing and consistent performance.

- ✓ Engineered Excellence.
- ✓ Proven Reliability.
- ✓ Unmatched Support.

Points to consider before buying upvc windows

1. UPVC profiles quality.
2. Steel Reinforcement Thickness .
3. Toughened Glass.
4. Hardware Brand & Durability.
5. Professional installation .
6. Warranty & after-sales service.

why us ! think upvc , think us
for quality trust & class

8 years of experience

1000 plus projects completed

Experience in serving in different weather condition from North Bengal, Sikkim , Bhutan & Nepal.

20 years warranty on profile

10 years warranty on hardware

Products: types of windows 7

SLIDING WINDOWS



- Come with shutters that glide either way to both the left and right, in one frame.
- Do not take up extra space outside or inside the house.
- Suitable for rooms, balcony spaces and kitchens
- Compatible with fly Mesh Shutter

CASEMENT WINDOWS



- Have shutters that open both ways, as per window type.
- Enable maximum ventilation and provide superior noise reduction.
- Suitable for bedrooms, living rooms and bathrooms

FIXED WINDOWS



- Are non-openable and fixed on all sides.
- Let in light and offer outdoor views, illuminating homes.
- Ideal for openings where ventilation is not needed and good views are present.

AWNING WINDOWS



- Are hinged at the top, and open outwards.
- Allow excellent ventilation while preventing water ingress during rains.
- Ideal for ventilating bedrooms, bathrooms and stairwells.

BAY WINDOWS



- Have special hinge mechanism that opens sideways like a casement window, or tilts at the top or bottom.
- Allow mild ventilation or regular opening as required.
- Use the tilt mode for constant ventilation in bedrooms & living rooms, and turn mode for higher breeze as required.

TILT AND TURN



- Are a collection of three or more windows in an angular formation.
- Transform regular corners inside homes into spaces for relaxation.
- Suitable for kitchens, living rooms, and bedrooms, giving luxurious views and comfort.

COMBINATION WINDOWS



- Combine sliding, casement, fixed, awning or tilt-and-turn windows.
- Allow maximum design flexibility to address specific ventilation or lighting needs.
- Multiple combinations possible with all types of windows.



Silence !

Let the outside chaos remain outside
and calmness inside.

A home means to be blissful not chaotic.

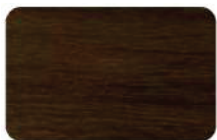




In India, the uPVC window market has been experiencing rapid growth, with increasing demand for aesthetic and durable solutions. While lamination is widely popular in Europe for producing colourful uPVC windows, it has yet to gain widespread acceptance in the Indian market, primarily due to the higher costs associated with the process.

Lamination involves applying a high-quality, branded foil to the surface of uPVC profiles. This foil is not only resistant to weather conditions but also offers a wide range of colours and finishes, enabling homeowners to customise their windows according to personal preferences. The lamination process uses advanced technology. As the Indian market continues to evolve, uPVC lamination could become a key technology for window and door manufacturers, providing both functional and aesthetic benefits to meet the growing demand for high-quality, weather-resistant products.

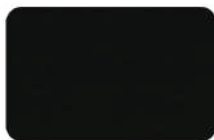
WIDE RANGE OF COLOUR AND LAMINATION OPTIONS



Dark Oak



Mahogany



Black



Golden Oak



Walnut



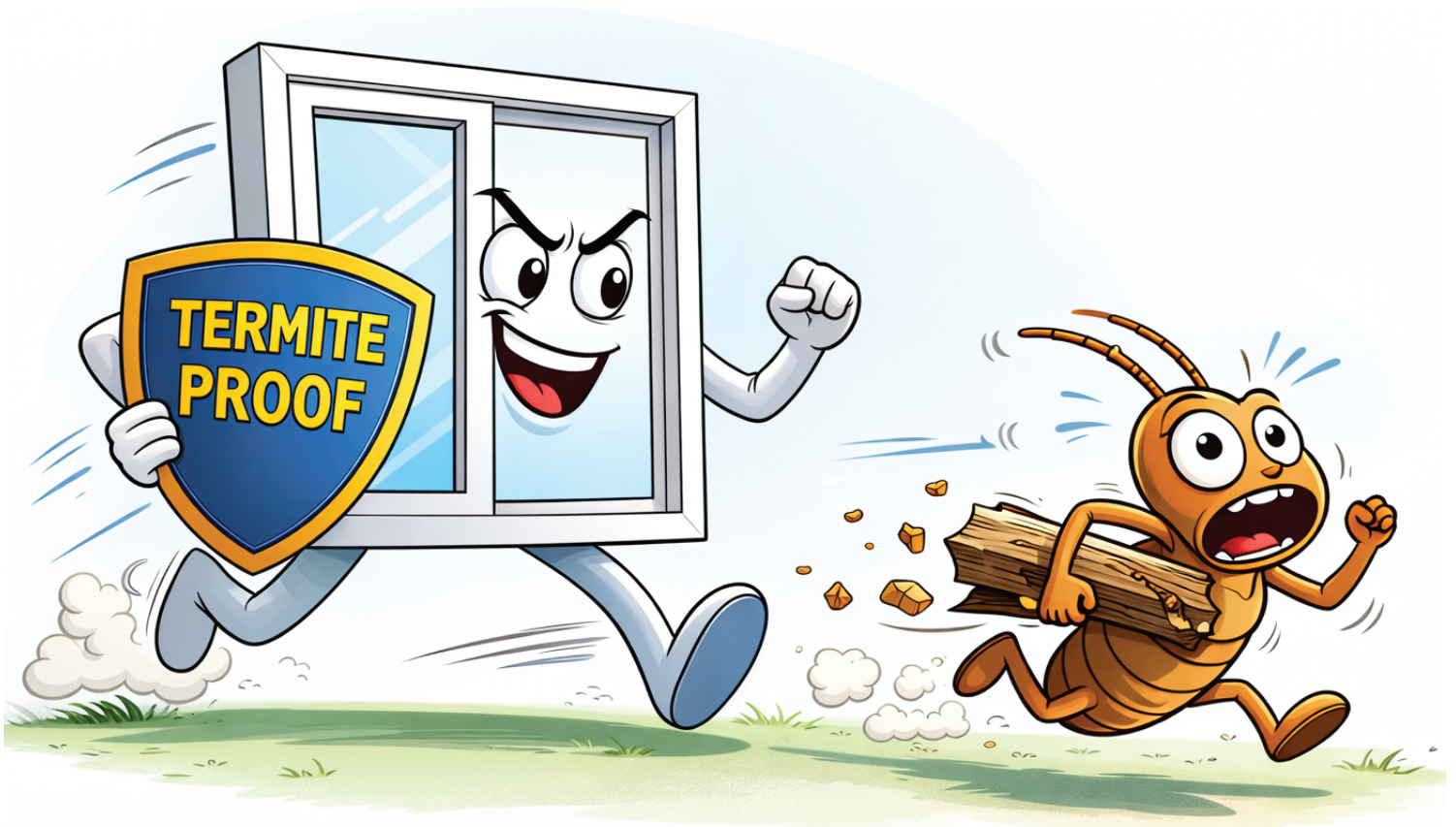
Grey

Engineered for Beauty. Built for Durability



1. UV-resistant & fade-proof surfaces
2. Scratch-resistant and easy to maintain
3. Weather-proof for long-lasting color stability
4. Seamless finish with precision lamination technology

sorry !
termites,
windows don't deserve you



Key Benefits of GLASS DECOR uPVC Windows

Engineered for durability, energy efficiency, and modern lifestyle comfort – designed to perform in every climate.



Energy saving

Up to 3x more efficient in maintaining indoor temperatures.



Easy Maintenance

100% termite proof, don't rust, warp, or corrode, and naturally durable due to the nature of the materials.



Water resistance

Leak proof and fully resistant to strong tropical rain also unaffected by stain water.



Sunlight control

Superior heat insulation helps reduce energy costs by up to 2.2 times compared to aluminium.



Durability

Designed to last for a lifetime without the need of painting.



Wind resistance

Designed for seaside and high-rise buildings with fully reinforced galvanized steel inner frames.



Humidity

The profiles don't warp, rot or break down in hot and humid climates.



Noise reduction

The profiles are designed with a double-seal system that reduces noise by 30-40 dB.



Termite proof

Unaffected by termites unlike traditional wooden frames.



Fire resistance

The profiles are manufactured to be self-extinguishing no toxic emissions unlike traditional materials.



Pollution free

Glass Decor profiles are sustainable, lead free and meet the greenline norms.



The expert team

Certified professionals ensuring precision fitting.



On site installation

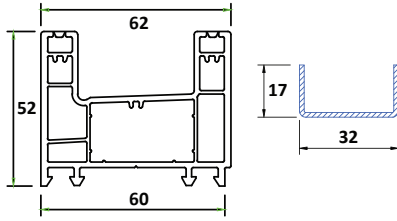
Fast, clean, and reliable service at your location.

Don't fear , upvc here!

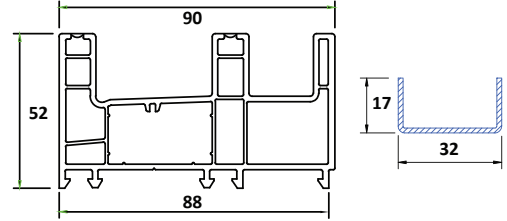
uPVC is a non-conductive material, which means it does not attract or carry electrical current. During ***thunderstorms and lightning***, this reduces the risk of electric transfer through window frames, unlike metal frames.



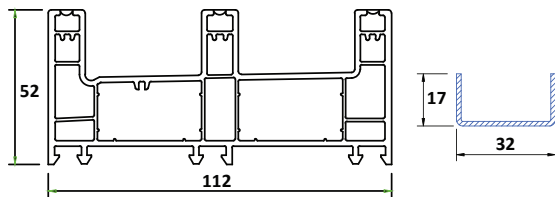
SLIDING SERIES PREMIUM



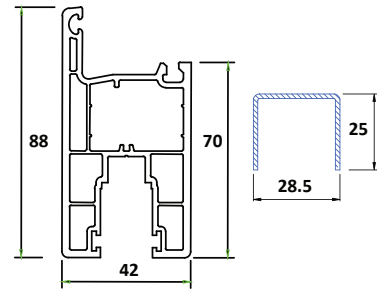
GD 201
SLIDING FRAME 2-TRACK



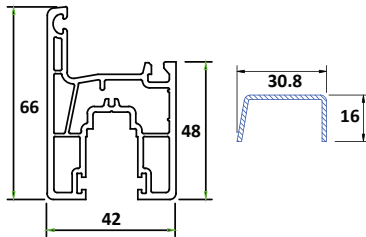
GD 202
SLIDING FRAME WITH MESH TRACK



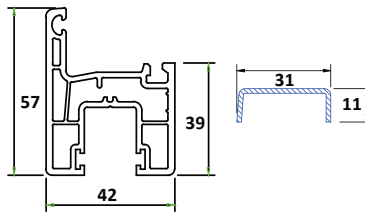
GD 203
SLIDING FRAME 3-TRACK



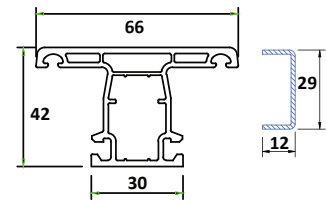
GD 223
SLIDING DOOR SASH



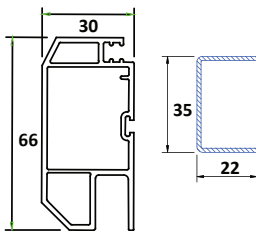
GD 222
SLIDING WINDOW SASH- BIG



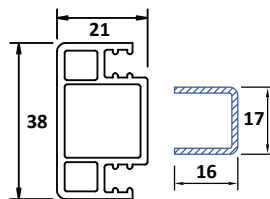
GD 221
SLIDING WINDOW SASH



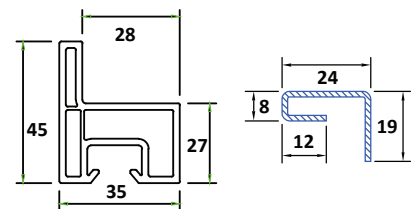
GD 124
T-MULLION FOR SLIDING



GD 241
MESH SASH FOR SLIDING DOOR

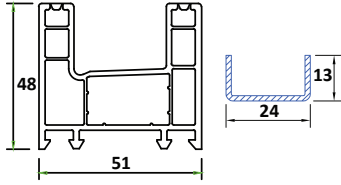


GD 242
MESH SASH MULLION

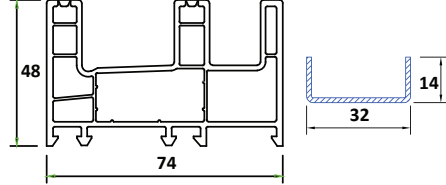


GD 243
ADD ON TRACK FOR GRILL

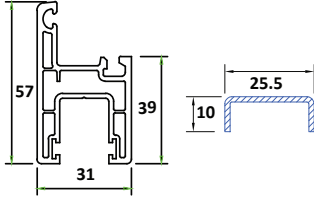
SLIDING SERIES ECO



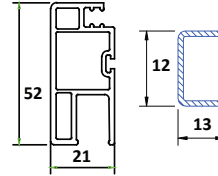
GD 401
SLIDING FRAME 2-TRACK-ECO



GD 402
SLIDING FRAME WITH MESH TRACK-ECO

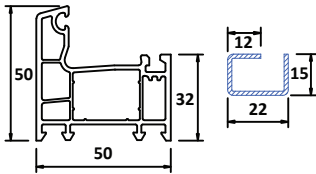


GD 411
SLIDING WINDOW SASH-ECO

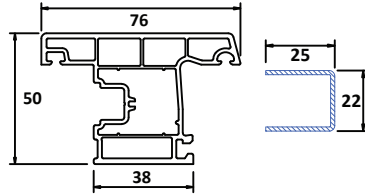


GD 421
SLIDING WINDOW MESH SASH

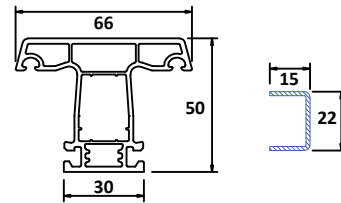
CASEMENT WINDOW SERIES ECO



GD 103
CASEMENT FRAME SASH - ECO

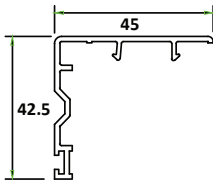


GD 115
CASEMENT WINDOW SASH OUTWARD - ECO

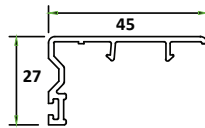


GD 125
T-MULLION - ECO

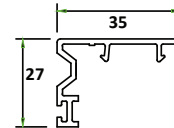
INTERLOCKS



GD 503
SLIDING DOOR INTERLOCK

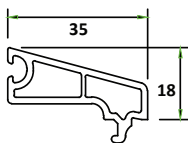


GD 502
SLIDING WINDOW INTERLOCK

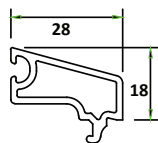


GD 501
SLIDING WINDOW INTERLOCK - ECO

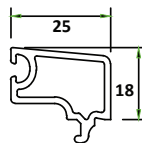
GLAZING BEADS



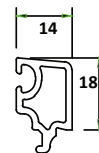
GD 601
CASEMENT GLAZING
BEAD 5-6 MM



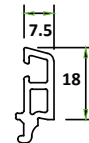
GD 602
CASEMENT GLAZING
BEAD 8-12 MM



GD 603
SLIDING GLAZING
BEAD 5-6 MM

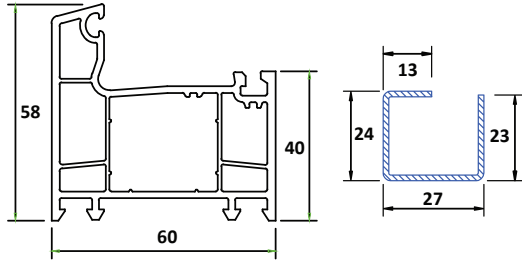


GD 604
GLAZING
BEAD D/G 24-26MM

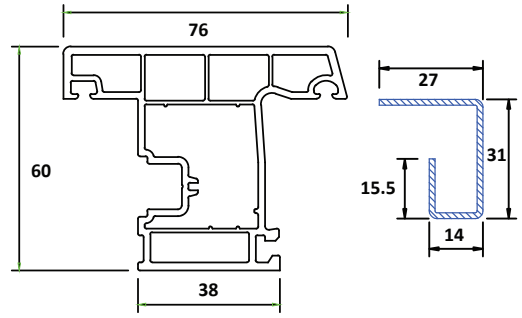


GD 605
GLAZING
BEAD D/G 32-36MM

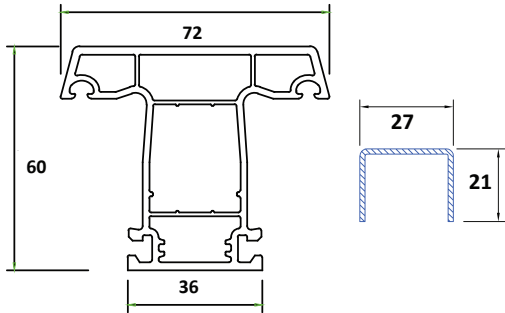
CASEMENT SERIES PREMIUM



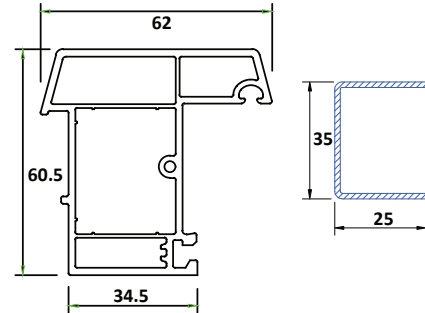
GD 101
CASEMENT WINDOW OUTER FRAME



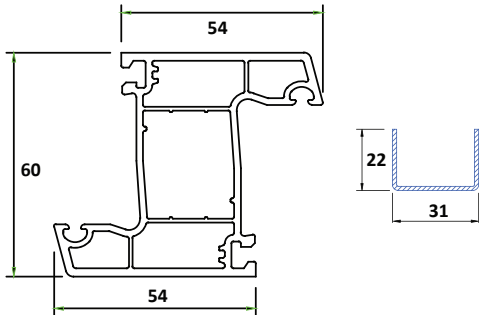
GD 111
CASEMENT WINDOW SASH - OUTWARD



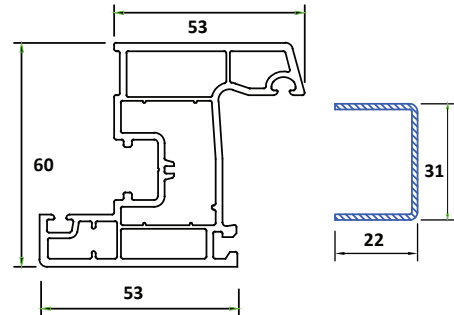
GD 121
T-MULLION



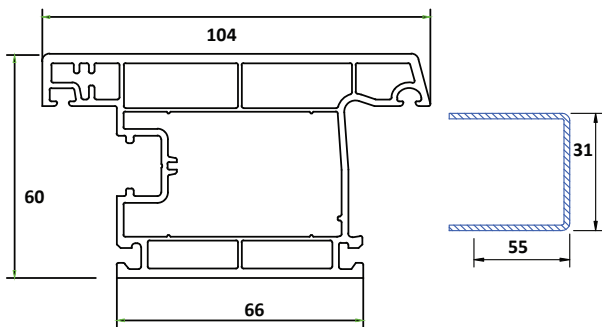
GD 123
FLY-MULLION



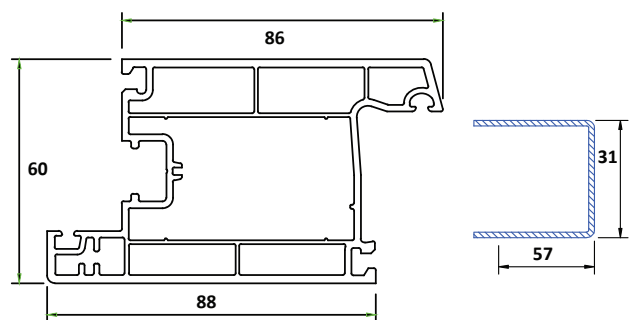
GD 122
Z-MULLION



GD 112
CASEMENT WINDOW SASH - INWARD

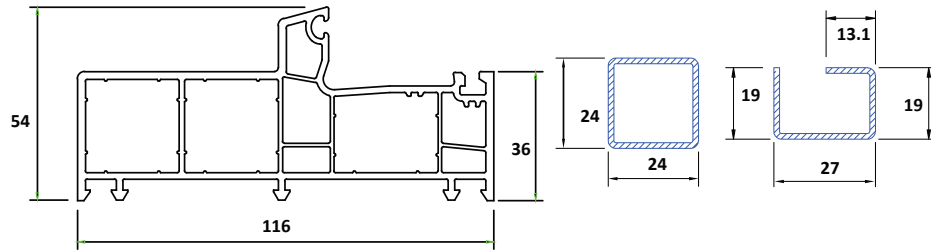


GD 113
CASEMENT DOOR SASH - OUTWARD

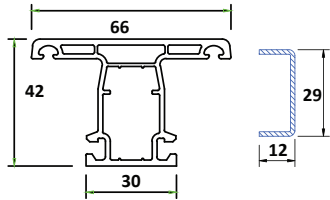


GD 114
CASEMENT DOOR SASH - INWARD

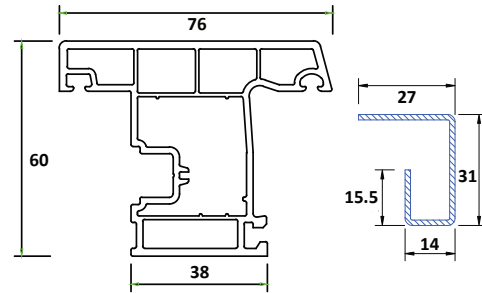
VILLA SERIES



GD 301
VILLA WINDOW OUTER FRAME

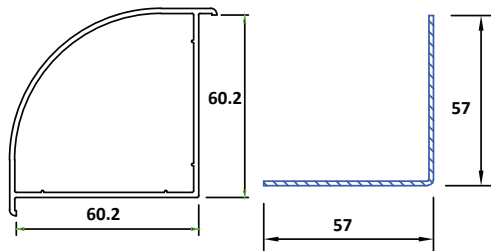


GD 124
OPENABLE MESH SASH FOR VILLA WINDOW

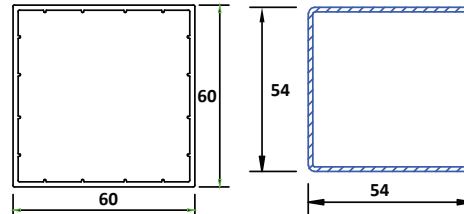


GD 111
OPENABLE SASH FOR VILLA WINDOW

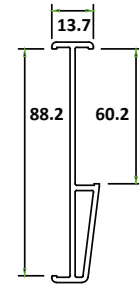
AUXILYRY PROFILES



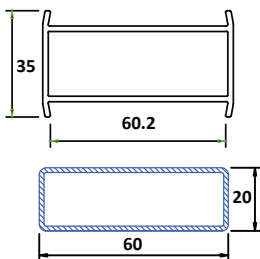
GD 911
CORNER POLE -(60 X60)



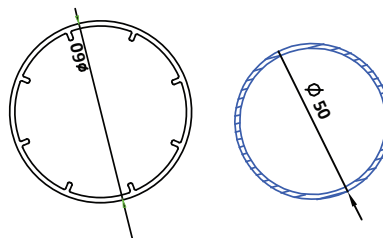
GD 910
CORNER SQUARE POLE -(60 X60)



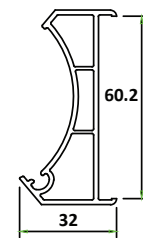
GD 905
2.5 TRACK COUPLER 88 MM



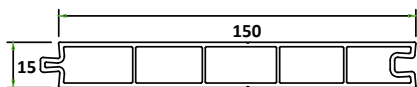
GD 909
BIG COUPLER



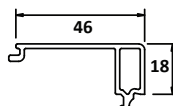
GD 908
ROUND BAY POLE 60



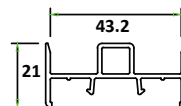
GD 907
ROUND BAY POLE ADOPTER



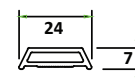
GD 906
PANEL PROFILE



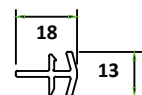
GD 904
LOUVER BEAD



GD 903
SLIDING SASH ADAPTER

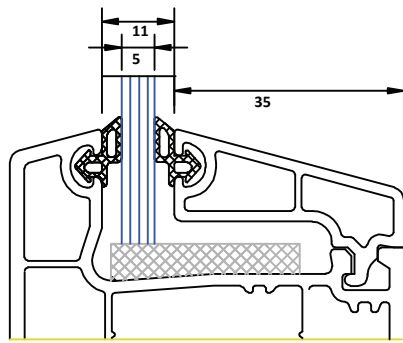


GD 902
GEORGIAN BAR

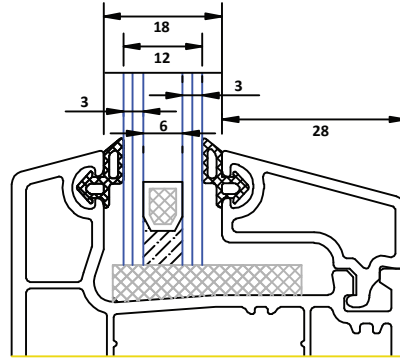


GD 901
SMALL COUPLER

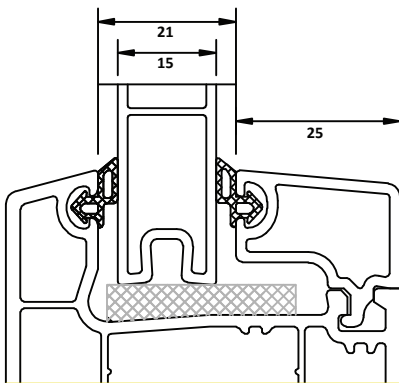
GLAZING CHART FOR CASEMENT SYSTEM



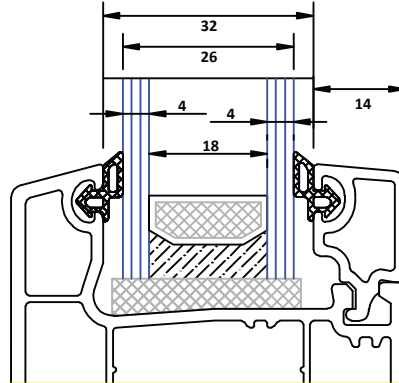
GD 601



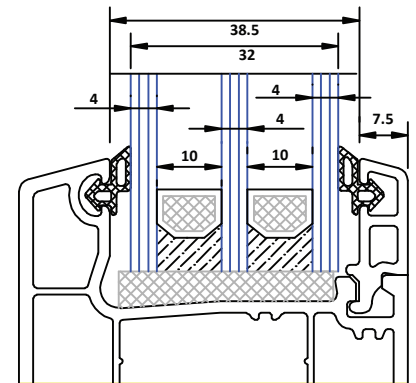
GD 602



GD 603

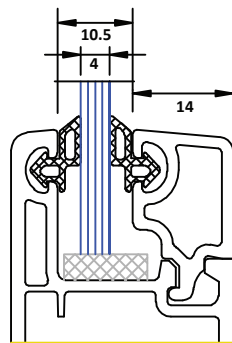


GD 604

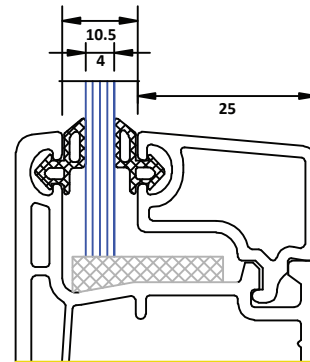


GD 605

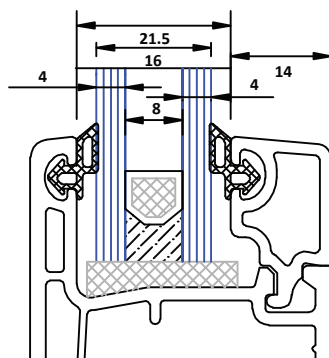
GLAZING CHART FOR SLIDING SYSTEM



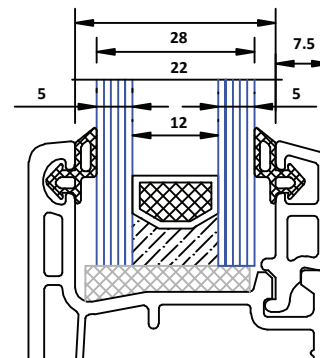
GD 604



GD 603

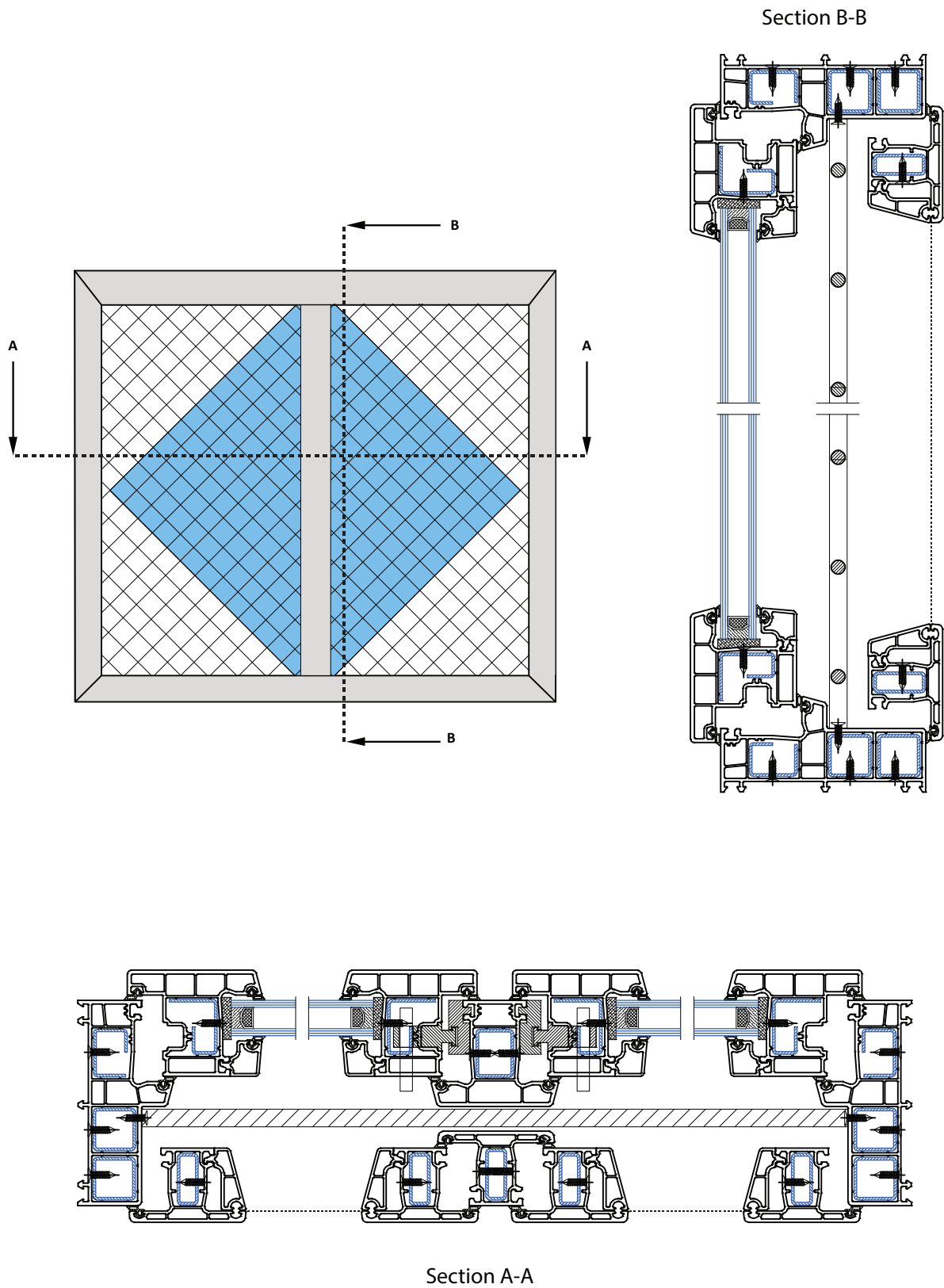


GD 604

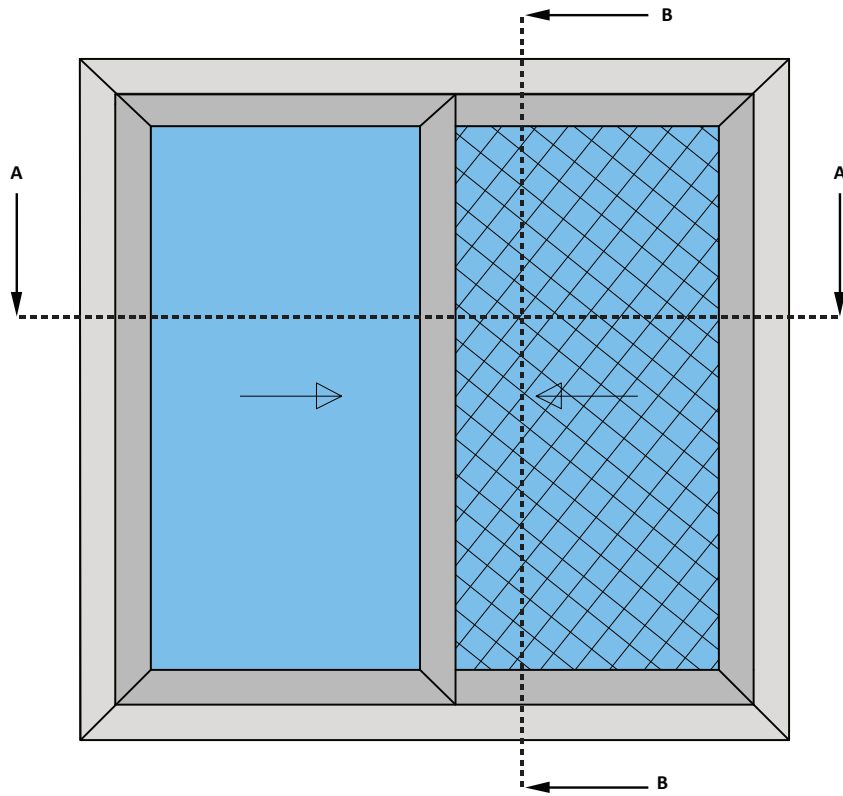


GD 605

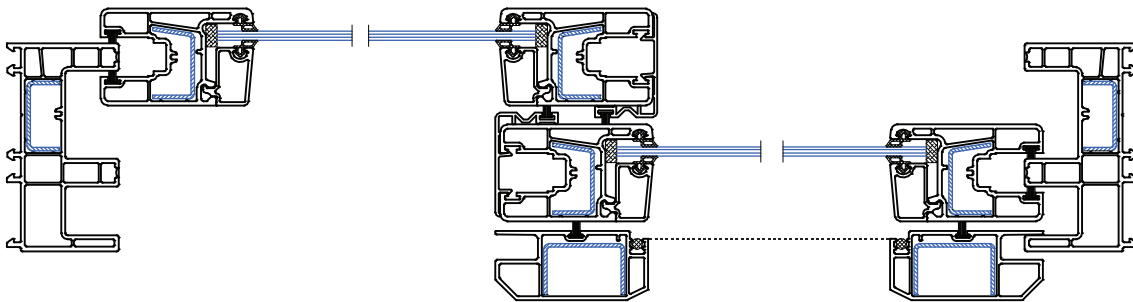
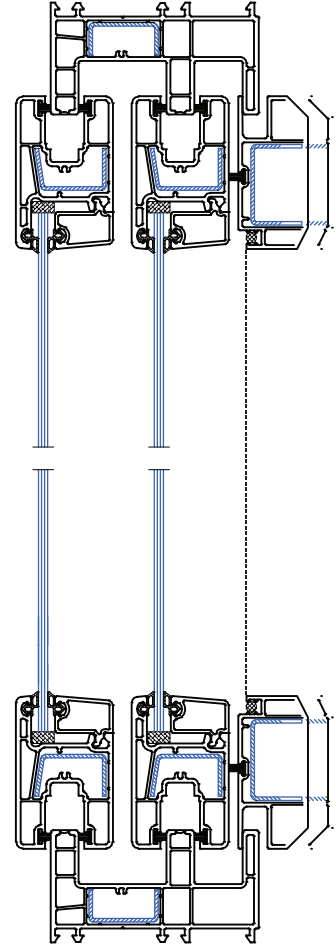
VILLA WINDOW SYSTEM



2.5 - SLIDING FRAME WITH MERSH TRACK

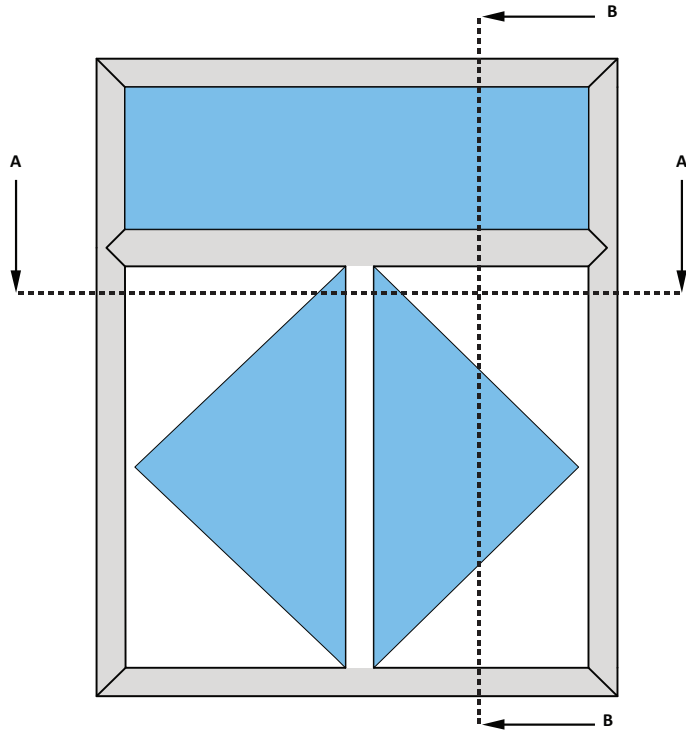


Section B-B

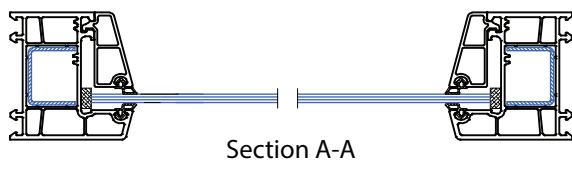
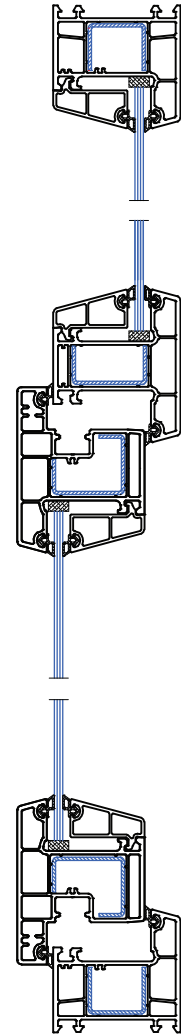


Section A-A

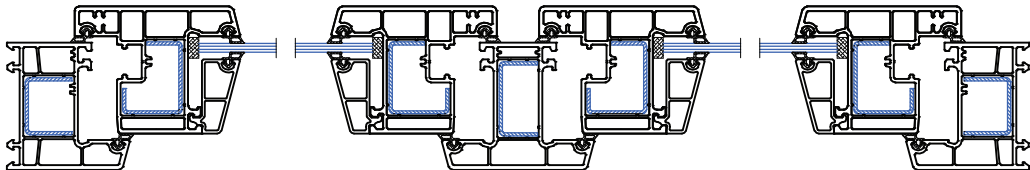
CASEMENT WINDOW SYSTEM



Section B-B

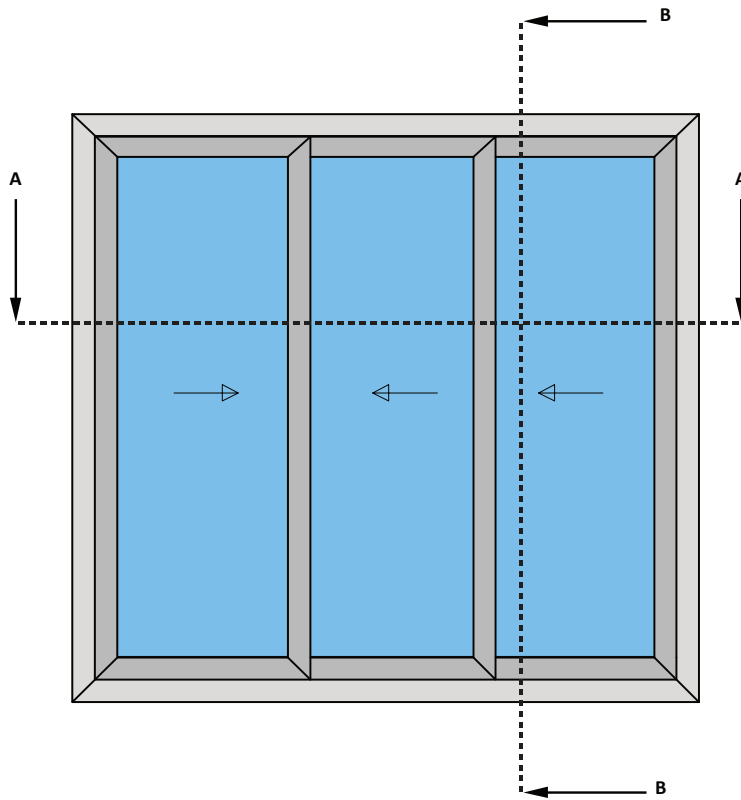


Section A-A

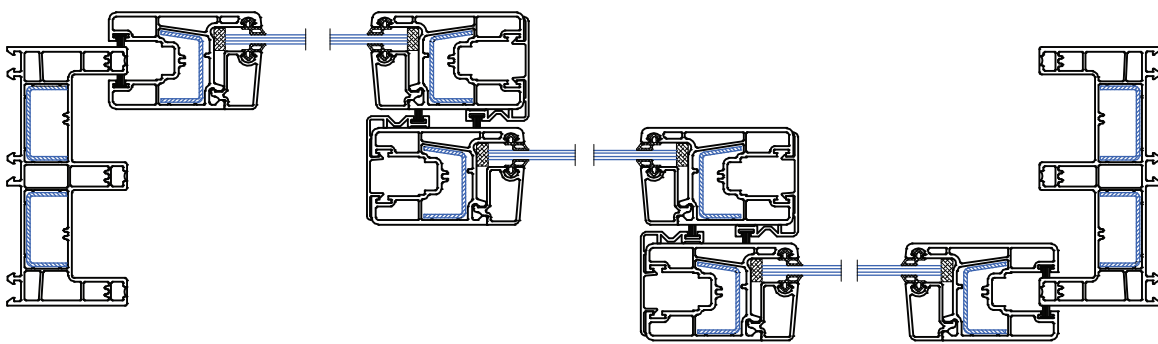
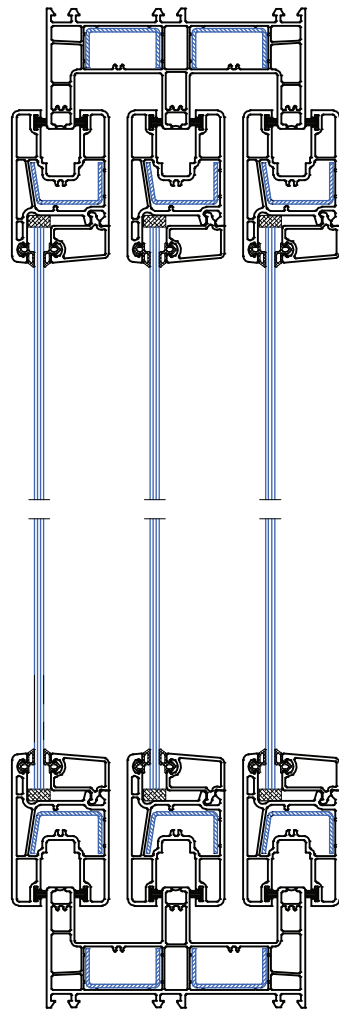


Section A-A

3 - TRACK SLIDING DOOR SYSTEM

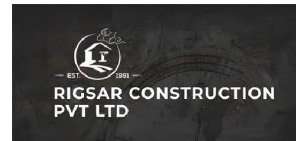


Section B-B



Section A-A

VALUABLE CLIENTS



TASHICHO DZONG
(BHUTAN)



PARO TARA MONASTERY
(BHUTAN)



JIGME LING POLICE TRAINING CENTER
(BHUTAN)



NEXA



SILIGURI

12 , 4TH MILE , SALUGARA ,SILIGURI,
WEST BENGAL , INDIA , PIN-734008



glasdecor.slg@gmail.com



+91 9641544402, +91 7797210811

BHUTAN

BABESA EXPRESSWAY , THIMPU ,
BHUTAN , TPN -SBB64427



+975 17232835 , +975 17115478
+975 17113599



glasdecorindia.com